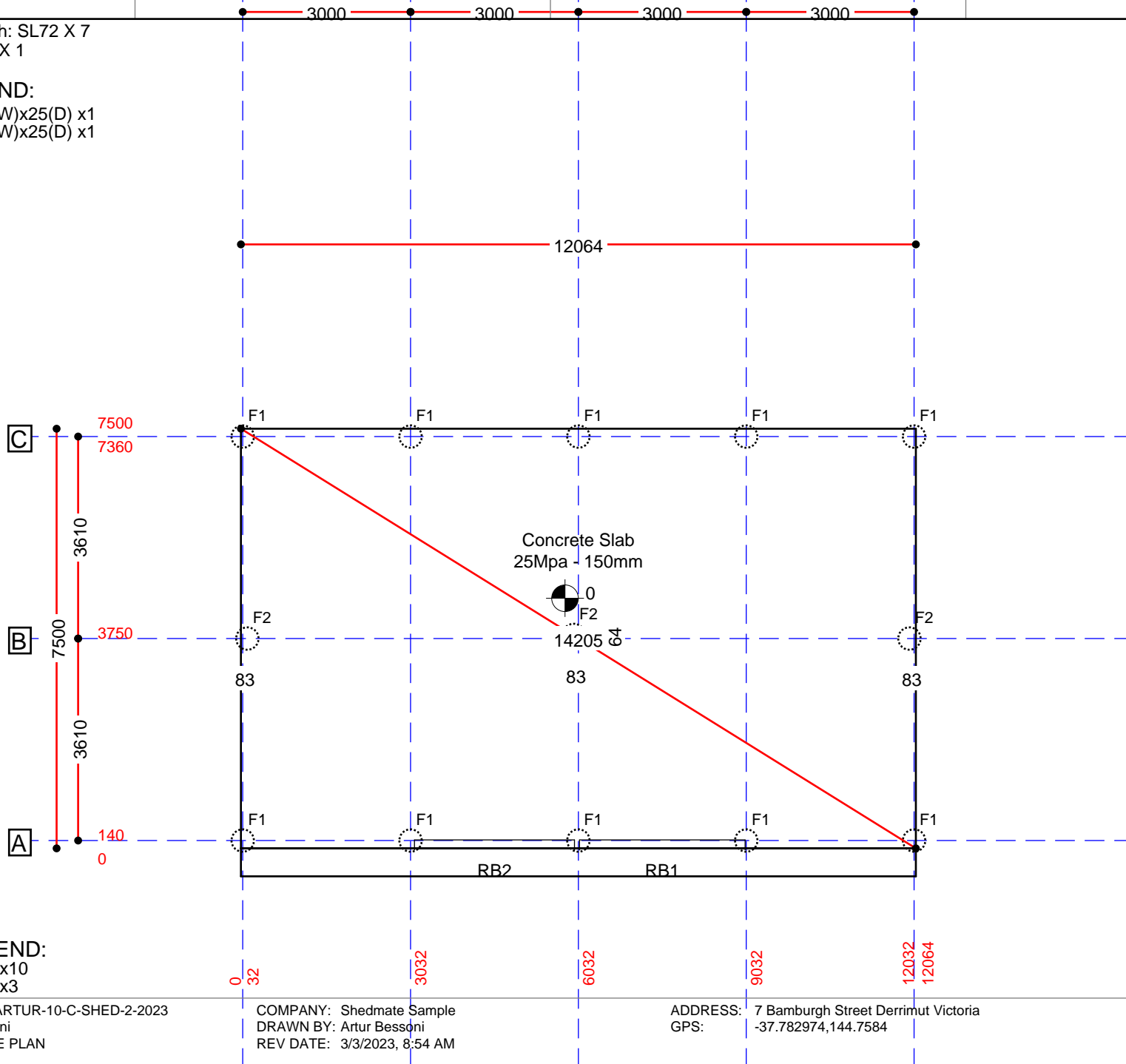
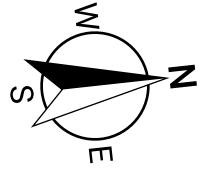


Concrete Slab Mesh: SL72 X 7
 Apron Mesh: SL72 X 1

REBATE LEGEND:

RB1: 2960(L)x180(W)x25(D) x1
 RB2: 2860(L)x180(W)x25(D) x1



FOOTING LEGEND:

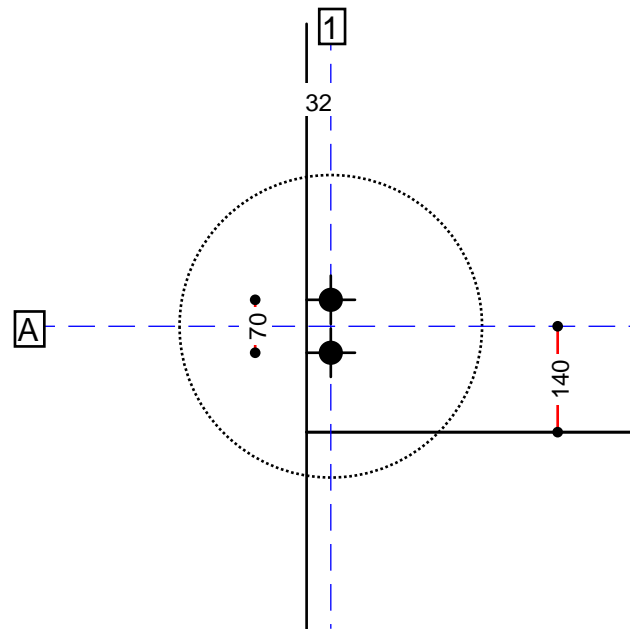
F1: 400 ϕ x600mm x10
 F2: 400 ϕ x450mm x3

JOB: BESSONI-ARTUR-10-C-SHED-2-2023
 CLIENT: Artur Bessoni
 SHEET: CONCRETE PLAN

COMPANY: Shedmate Sample
 DRAWN BY: Artur Bessoni
 REV DATE: 3/3/2023, 8:54 AM

ADDRESS: 7 Bamburgh Street Derrimut Victoria
 GPS: -37.782974,144.7584





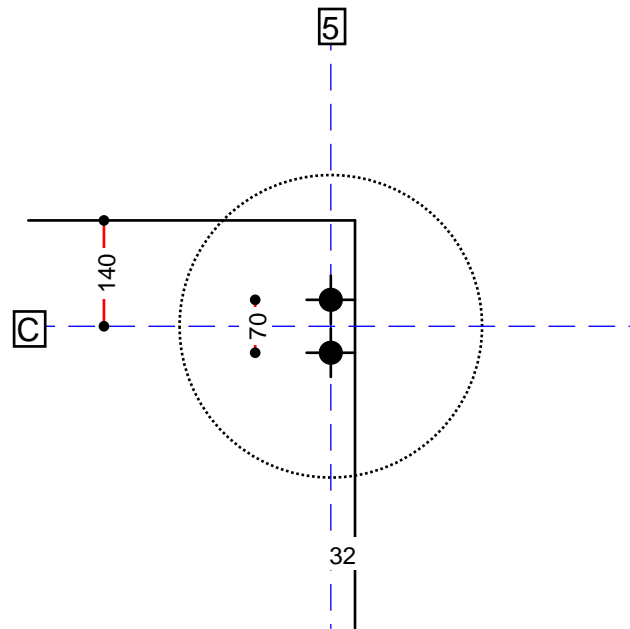
Footing: 400x600mm / 25Mpa
Through Bolt: M16x150

JOB: BESSONI-ARTUR-10-C-SHED-2-2023
CLIENT: Artur Bessoni
SHEET: FOOTING DETAIL 1

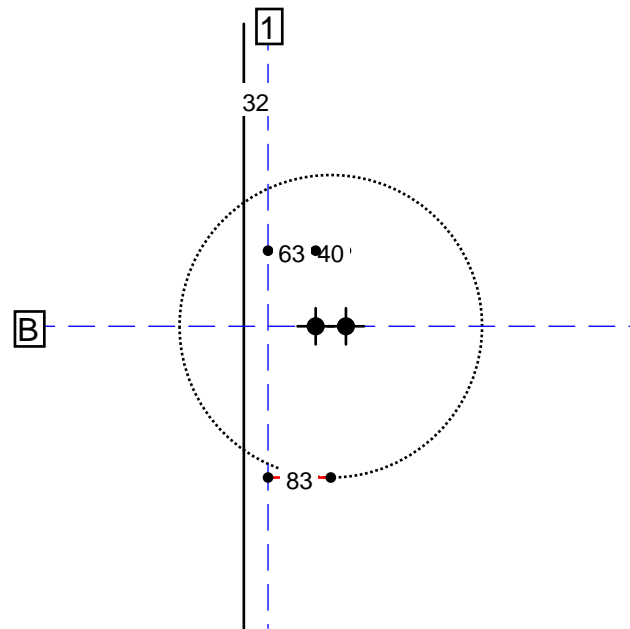
COMPANY: Shedmate Sample
DRAWN BY: Artur Bessoni
REV DATE: 3/3/2023, 8:54 AM

ADDRESS: 7 Bamburgh Street Derrimut Victoria
GPS: -37.782974,144.7584





Footing: 400x600mm / 25Mpa
 Through Bolt: M16x150



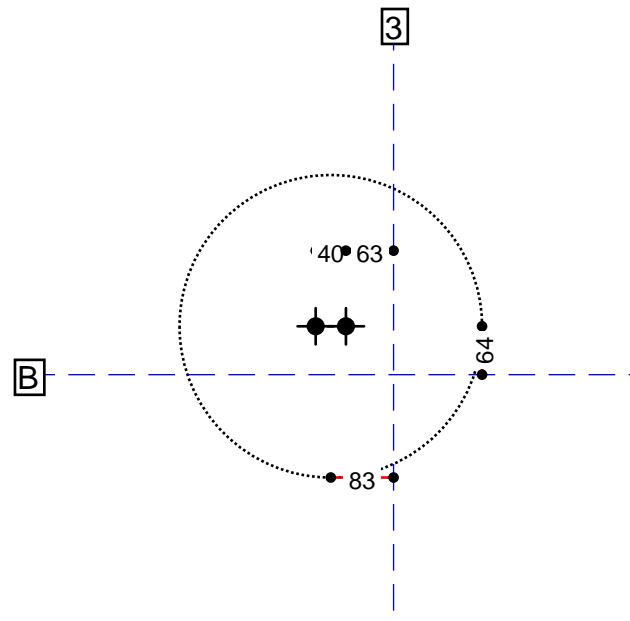
Footing: 400x450mm / 25Mpa
 Dyna Bolt: M12x60

JOB: BESSONI-ARTUR-10-C-SHED-2-2023
 CLIENT: Artur Bessoni
 SHEET: FOOTING DETAIL 3

COMPANY: Shedmate Sample
 DRAWN BY: Artur Bessoni
 REV DATE: 3/3/2023, 8:54 AM

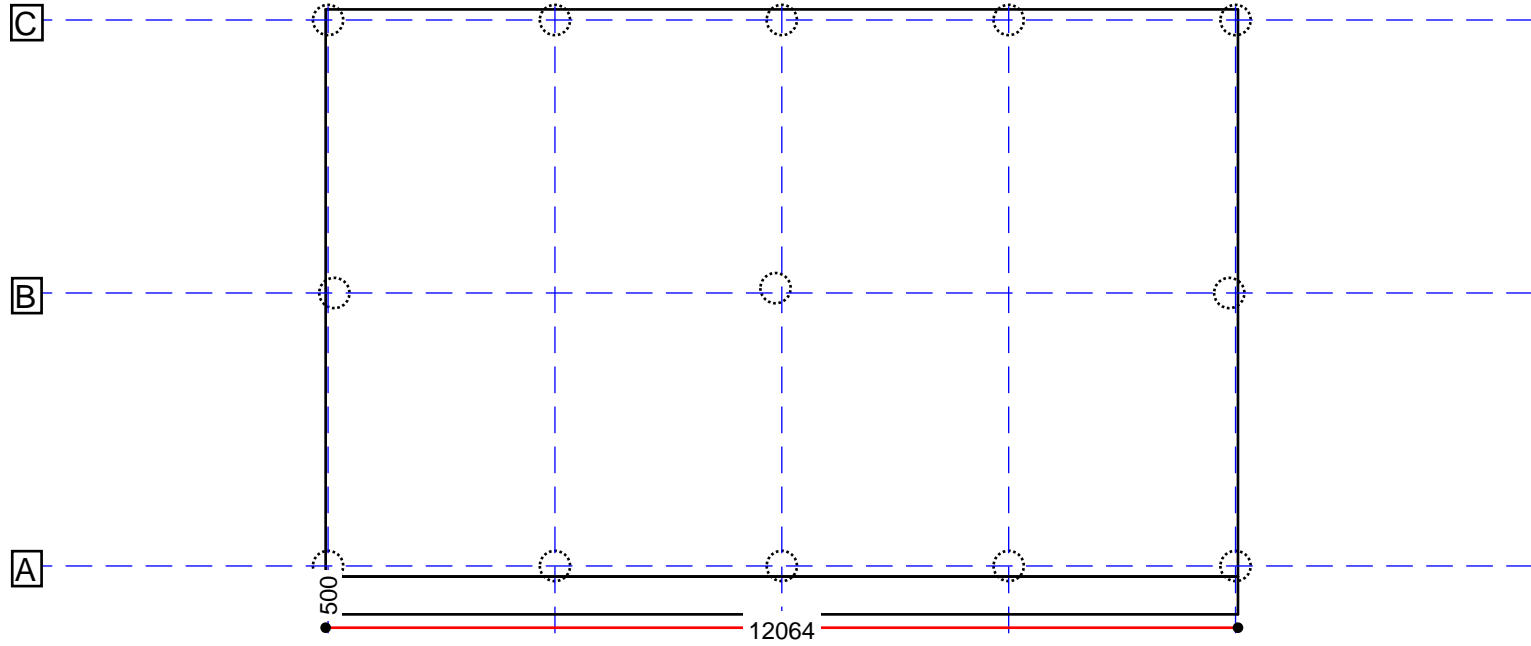
ADDRESS: 7 Bamburgh Street Derrimut Victoria
 GPS: -37.782974,144.7584





Footing: 400x450mm / 25Mpa
 Dyna Bolt: M12x60

Concrete Slab Mesh: SL72 X 7
Apron Mesh: SL72 X 1



Apron (SL72)
25Mpa - 100mm
-25 Setdown

JOB: BESSONI-ARTUR-10-C-SHED-2-2023
CLIENT: Artur Bessoni
SHEET: APRON PLAN

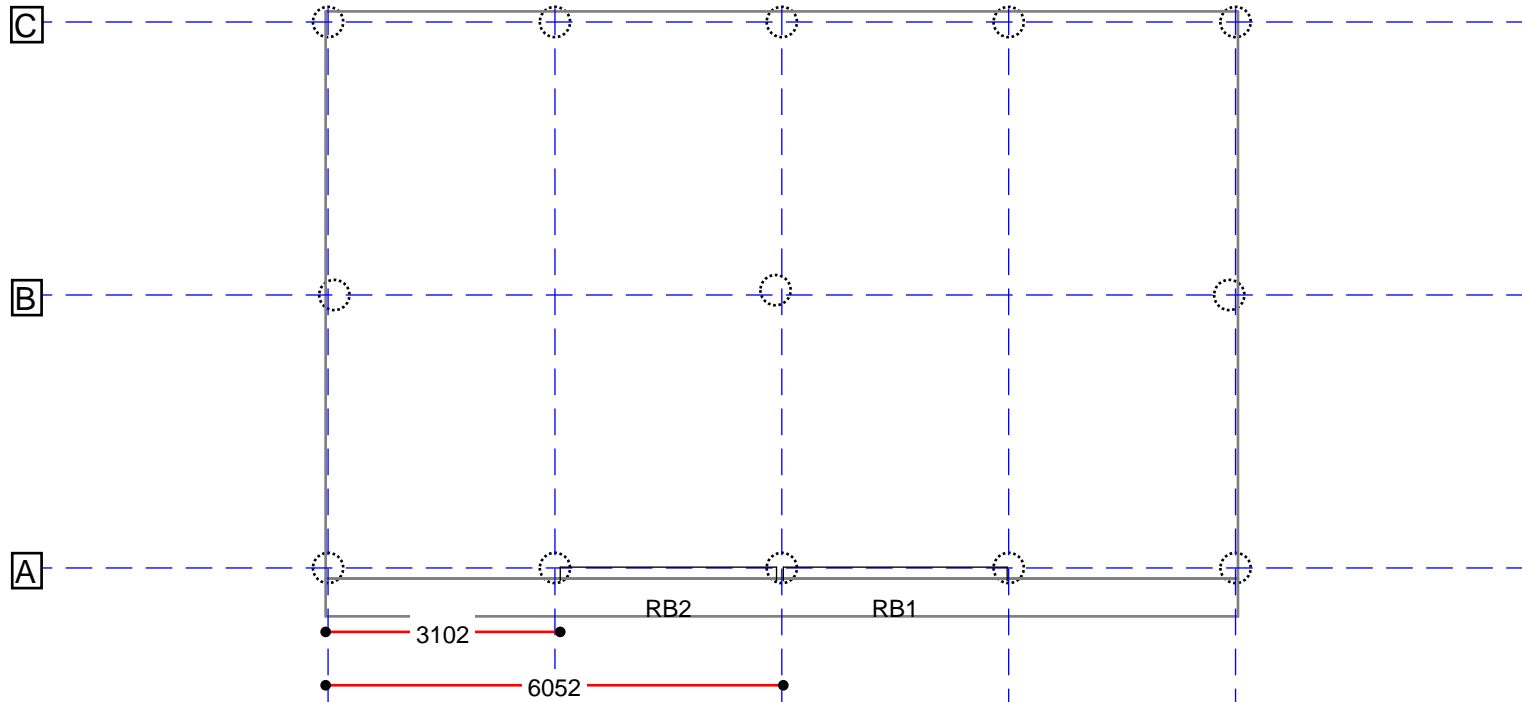
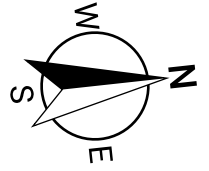
COMPANY: Shedmate Sample
DRAWN BY: Artur Bessoni
REV DATE: 3/3/2023, 8:54 AM

ADDRESS: 7 Bamburgh Street Derrimut Victoria
GPS: -37.782974,144.7584



REBATE LEGEND:

RB1: 2960(L)x180(W)x25(D) x1
RB2: 2860(L)x180(W)x25(D) x1

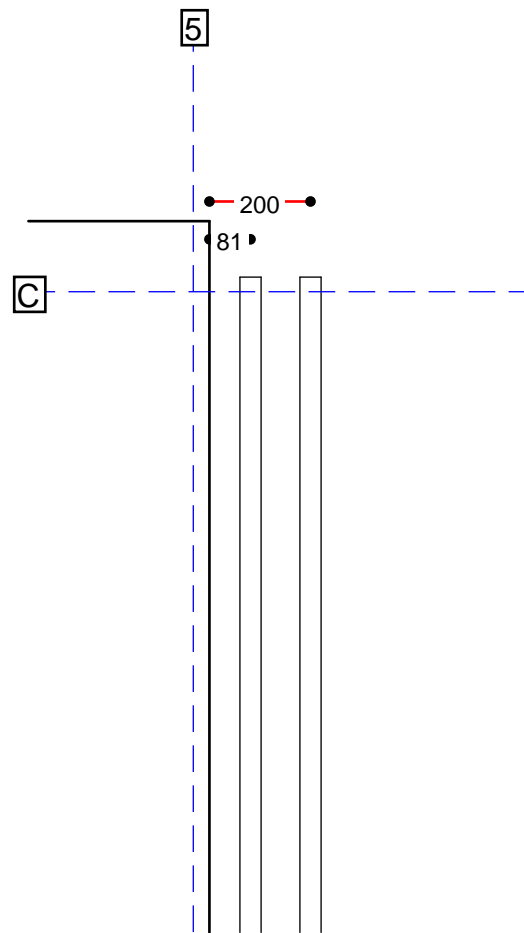
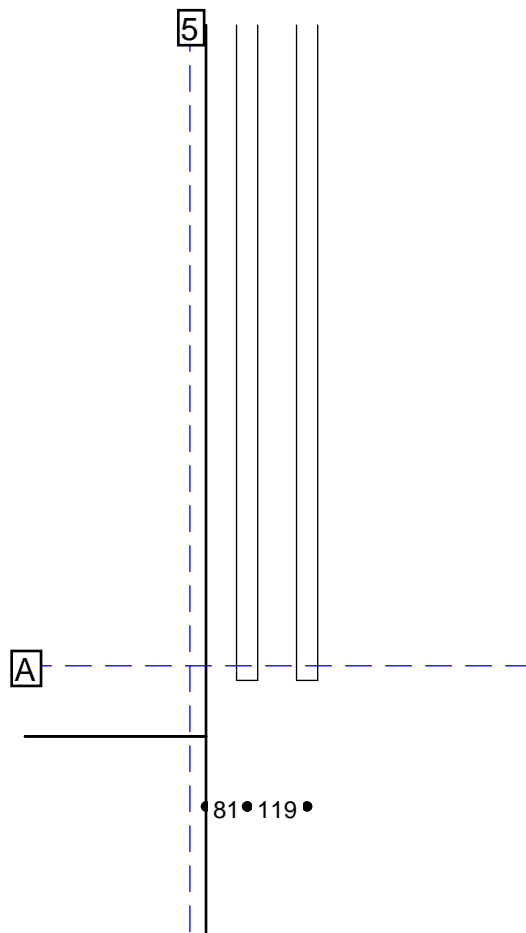


JOB: BESSONI-ARTUR-10-C-SHED-2-2023
CLIENT: Artur Bessoni
SHEET: REBATE PLAN

COMPANY: Shedmate Sample
DRAWN BY: Artur Bessoni
REV DATE: 3/3/2023, 8:54 AM

ADDRESS: 7 Bamburgh Street Derrimut Victoria
GPS: -37.782974,144.7584





JOB: BESSONI-ARTUR-10-C-SHED-2-2023
 CLIENT: Artur Bessoni
 SHEET: SLIDING TRACK DETAIL BACK WALL

COMPANY: Shedmate Sample
 DRAWN BY: Artur Bessoni
 REV DATE: 3/3/2023, 8:54 AM

ADDRESS: 7 Bamburgh Street Derrimut Victoria
 GPS: -37.782974,144.7584

